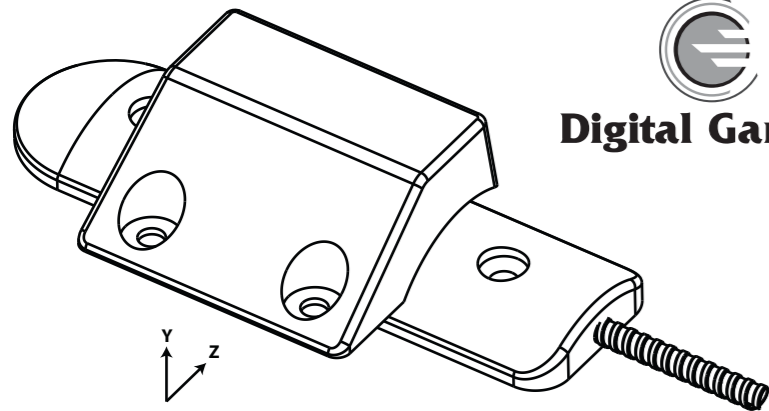




Digital Gardian



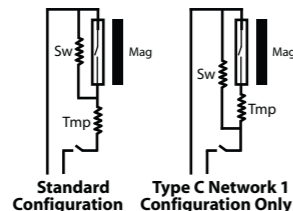
Approximate Operating Distances (mm) using Non Ferrous Surfaces

Y	Min Close	23mm
	Max Open	26mm
Z	Min Close	28mm
	Max Open	32mm

Mounting on a ferrous surface will reduce these figures, dependant on the material and thickness.

Please note that this is a standard chart for information and not all types are available on this model. Please ask you distributor about availability.

Type	Control Panel	Switch	Tamper
A	Honeywell, Ademco, Microtech	1K	1K
B	Scantronic, Menvier, Pyronix PCX (12, 22, 44, 128 VID), Texcom, Castle CareTech G3 Plus.	4K7	2K2
C	Guardall Network 1 Configuration only.	8K2	8K2
D	DSC	5K6	5K6
E	Guardtec	6K8	4K7
F	Bosch, DA Abacus	8K2	3K9
G	Castle Care-Tech	13K	1K
H	Europlex	2K2	2K2
I	Pyronix Matrix, PCX SMS, 134, 256.	4K7	4K7



Specifications			
Switch		Housing	
Contact Material:	Rhodium & Ruthenium	Material:	Aluminium
Cable :	7/0.2 Copper	Armoured Cable Length:	aprox 450mm
Contact Rating:	0.25A @ 12Vdc	Contact Dimension (mm):	170mm x 50mm x 8.5mm
Contact Resistance:	200 milliOhms	Contact Fixing (mm):	107mm centres
Temperature Range:	-15° C to +40° C	Magnet Dimension (mm):	81 mm x 82mm x 30mm
Life Expectancy:	>1,000,000 cycles	Magnet fixing (mm)	50mm centres

Environmental Advice.

This product is covered by current WEEE regulations. Please consider the effect on the environment when disposing of it. Do not put in a domestic waste bin. Only dispose of at an appointed recycling centre.



RoHS compliant.

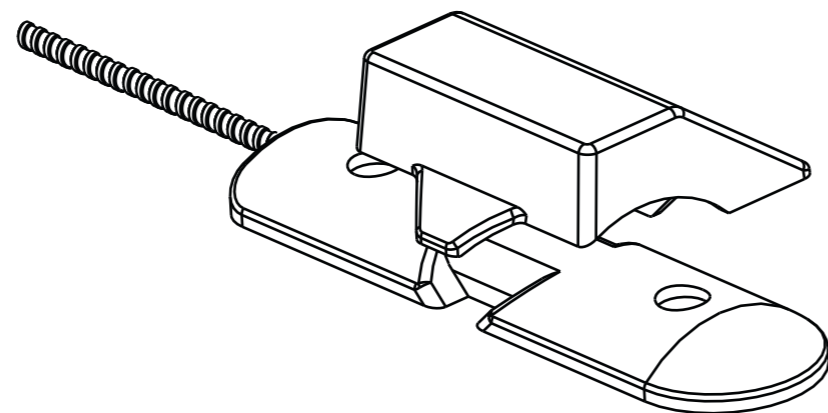
This product is designed to meet the requirements of EN50131-2-6:2008 Security grade 3 compliance , environmental class III

DG-SC-G3 Roller Shutter Contact.

* Type dependant

Magnetic contact suitable for roller shutters. Heavy duty construction EOL and double pole configuration (8 wire version) Magnetic interference detection (optional on 8 wire version) Can be used in installations up to and including grade 3 compliance. Sealed to prevent tampering.

Operating and Installation Instructions



Description

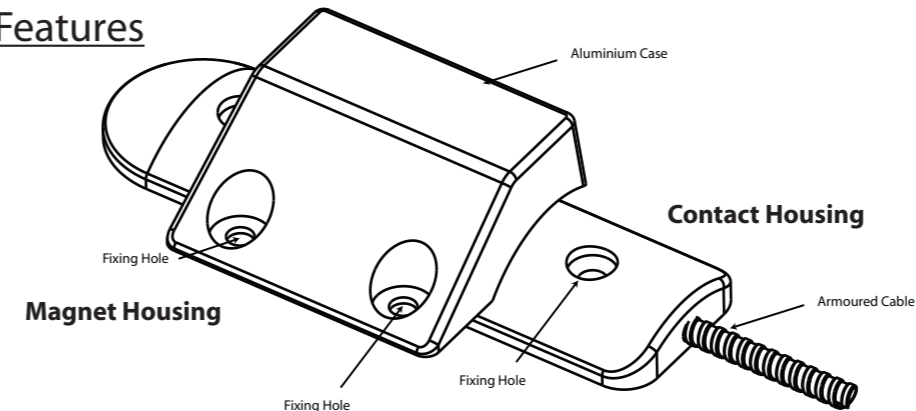
This heavy duty roller shutter contact can be used in most security systems up to and including grade 3 compliance as specified in EN50131-1:2006 and is compliant with EN50131-2-6:2008 and environmental class III. It operates as a normally closed circuit going open when the magnet housing is moved away from the contact housing. This contact can be used on roller shutter doors to detect the unauthorized entry of an intruder, additionally it will detect magnetic interference from another magnet in close proximity. The contact is sealed to prevent access to the inside.

VOSTOK Trading L.L.C, 304, 3rd Floor, Al Tawhidi Building, Khaleed Bin Waleed Road, P.O. Box: 27106,

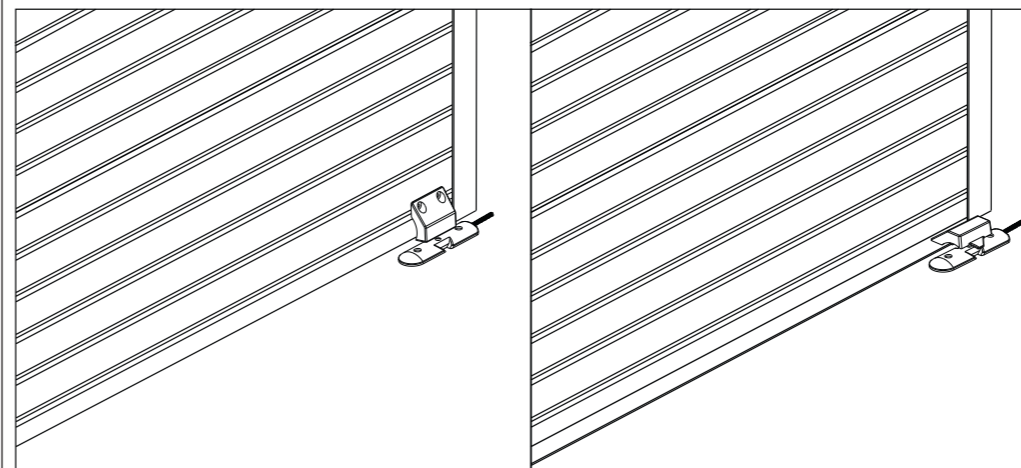
Dubai, UNITED ARAB EMIRATES

Tel : (+971 4) 3558816, Fax : (+971 4) 3558817. www.digitalgardian.com

Features



Suitable Applications and Fixing Points



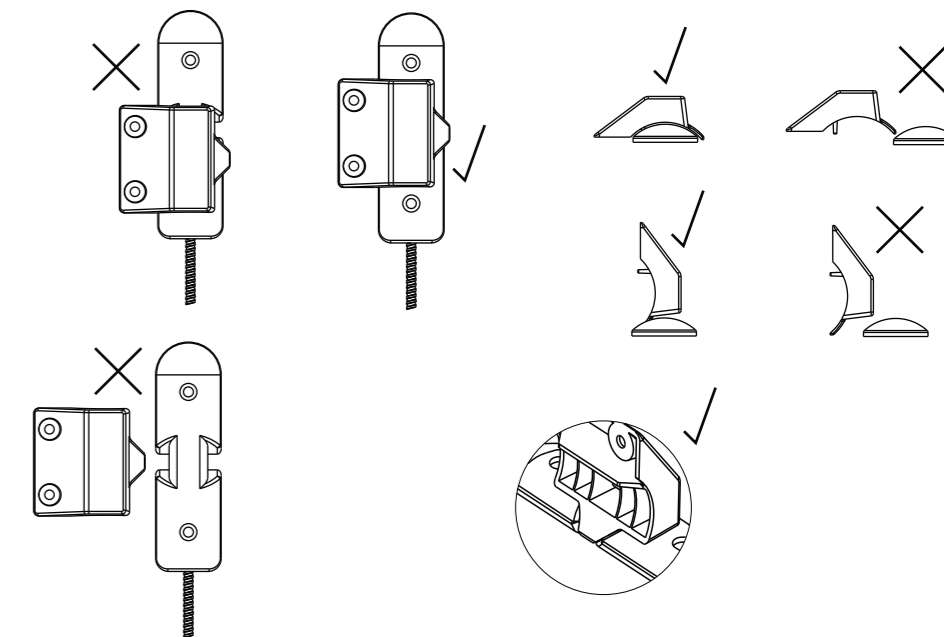
Typical Roller Shutter Installation

Mounting Instructions

Please see the diagrams above to ensure that the contact is mounted in the most suitable location.

Mark out the position of the magnet housing and secure in place with M6 nuts and bolts. Place the reed housing in such a position so that it does not restrict the door closing and so that the two pieces are located together and lined up as shown in the mounting configurations. Drill the floor using wall plugs designed to accept No 12 pan head screws, typically 7-8mm. Terminate the contact as shown in the diagrams using a suitable junction box that can isolate the spare wires from each other.

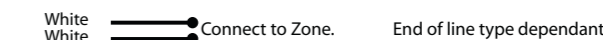
Mounting Configurations



When installing this contact, it is important that you correctly align the contact and the magnet. A roller shutter door with excess side movement must be corrected prior to installation. The two units have location aids to ensure correct line up. When aligning you must check that the supplied magnet triggers the alarm circuit only. If the magnetic detection circuit is wired in, the unit will signal a tamper condition if a rogue magnet is introduced.

Wiring Configurations

2 Wire



8 Wire

